

PLC Splitters_Module & Rack Package



Key Features

- Low Insertion Loss
- Low PDL
- Excellent Environmental & Mechanical Stability
- Qualified Under Telcordia GR-1221 and GR-1209

Applications

- FTTX (FTTP, FTTH, FTTN, FTTC)
- Passive Optical Networks (PON)
- Local Area Networks (LAN)
- Cable Television
- Test Equipments

Performance Specifications

Parameter	Specifications											
Operation Wavelength	1260nm to 1650nm											
Type	1x2	2x2	1x4	2x4	1x8	2x8	1x16	2x16	1x32	2x32	1x64	2x64
Insertion Loss (dB) (Max.)*	≤ 4.0	≤ 4.3	≤ 7.3	≤ 7.6	≤ 10.8	≤ 11.2	≤ 13.8	≤ 14.5	≤ 17.2	≤ 18.2	≤ 20.5	≤ 21.0
Uniformity (dB) (Max.)*	≤ 0.6	≤ 0.8	≤ 0.8	≤ 1.0	≤ 1.0	≤ 1.5	≤ 1.5	≤ 2.0	≤ 2.0	≤ 2.5	≤ 2.5	≤ 3.0
PDL (dB) (Max.)	≤ 0.2	≤ 0.2	≤ 0.2	≤ 0.3	≤ 0.2	≤ 0.3	≤ 0.3	≤ 0.4	≤ 0.3	≤ 0.4	≤ 0.3	≤ 0.3
Return Loss (dB) (Min.)*	50											
Directivity (dB) (Min.)*	55											
Optical Power (mW)	300											
Operating Temperature (°C)	-40 to + 85											
Storage Temperature (°C)	-40 to + 85											
Fiber Type	Corning singlemode SMF-28											
Connector Type	Custom specified											

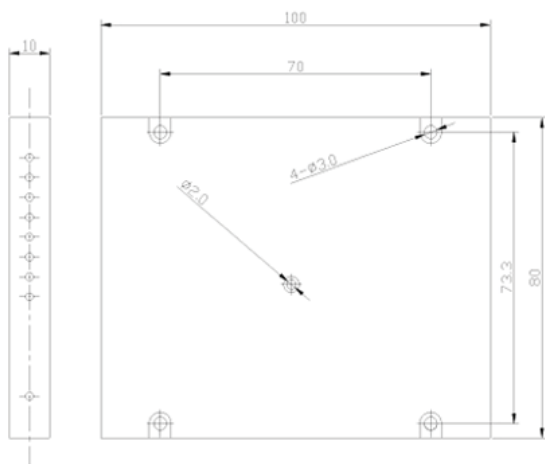
Note: *1. Measured at room temperature and excludes connector loss.
 2. For devices with connectors, insertion loss will be 0.3dB higher.

Package Type Matrix

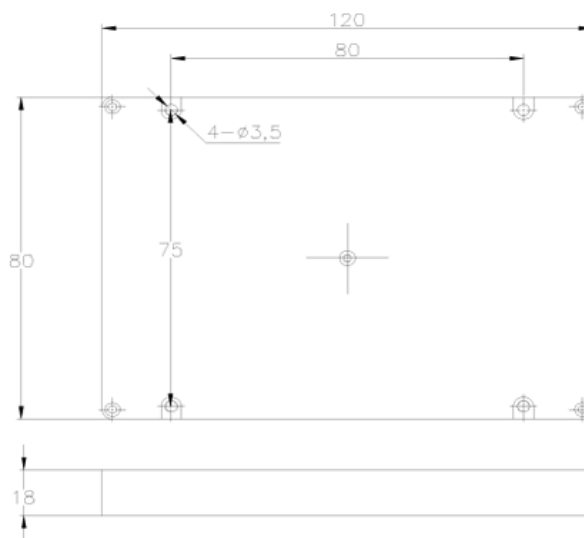
Package Type	Package Dimensions (HxWxL) (mm)	PLC Splitters Port Configuration				
		1x2; 2x2; 1x4; 2x4	1x8; 2x8	1x16; 2x16	1x32; 2x32	1x64; 2x64
B1	10x80x100	x	x			
B2	18x80x120	x	x	x		
B3	14.5x102x142	x	x	x	x	
B4	18x115x141	x	x	x	x	x
B5	19" Rack Single Wide	x	x	x	x	
	19" Rack Double Wide					x
B6	LGX Box Single Wide	x	x			
	LGX Box Double Wide			x		

Mechanical Dimensions

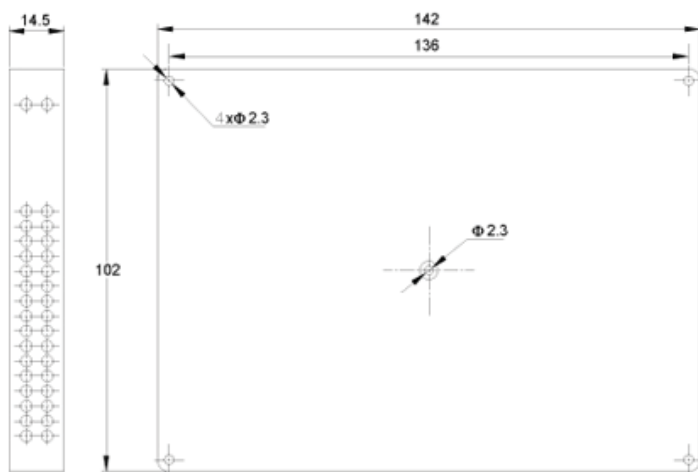
Package B1: 10x80x100 (HxWxL) mm

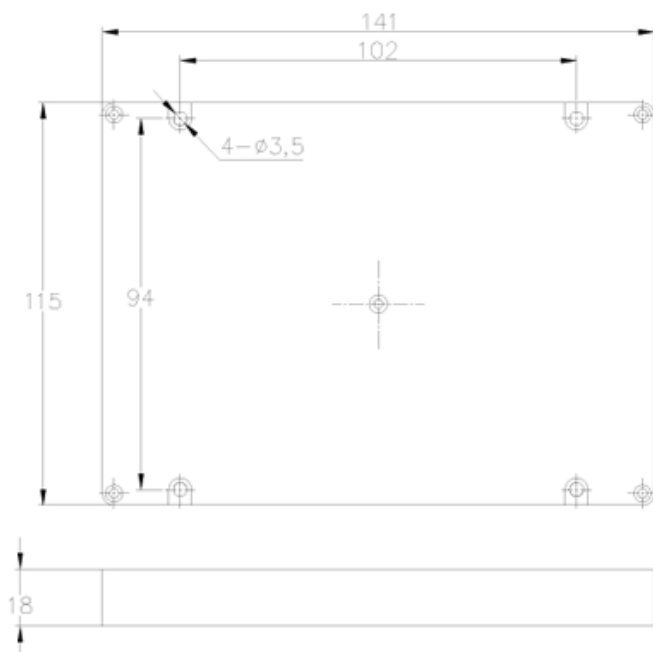


Package B2: 18x80x120 (HxWxL) mm



Package B3: 14.5x102x142 (HxWxL) mm



Package B4: 18x115x141 (HxWxL) mm

Ordering Information

PLC	□ □	□	□ □ □ □	□	□	□	□	□ □
	Wavelength	Grade	Port	Pigtail Style	Fiber Length	Input Connector	Output Connector	Package Type (Optional)
	13 = 1310nm 15 = 1550nm 35 = 1310/1550nm	P = Grade P	0102 = 1x2 0104 = 1x4 0108 = 1x8 0116 = 1x16 0132 = 1x32 0164 = 1x64 0202 = 2x2 0204 = 2x4 0208 = 2x8 0216 = 2x16 0232 = 2x32 0264 = 2x64	1 = Bare Fiber 2 = 900um Loose Tube	1 = 1.0m 2 = 2.0m	0 = None 1 = FC/APC 2 = FC/PC 3 = SC/APC 4 = SC/PC 5 = ST 6 = LC/UPC 7 = LC/APC X=Special	0 = None 1 = FC/APC 2 = FC/PC 3 = SC/APC 4 = SC/PC 5 = ST 6 = LC/UPC 7 = LC/APC 8 = 8 Fiber MPO (male) 9 = 8 Fiber MPO (female) X = Special	B1 = 10x80x100 Case B2 = 18x80x120 Case B3 = 14.5x102x142 Case B4 = 18x115x141 Case B5 = 19" Rasck B6 = LGX Boxes